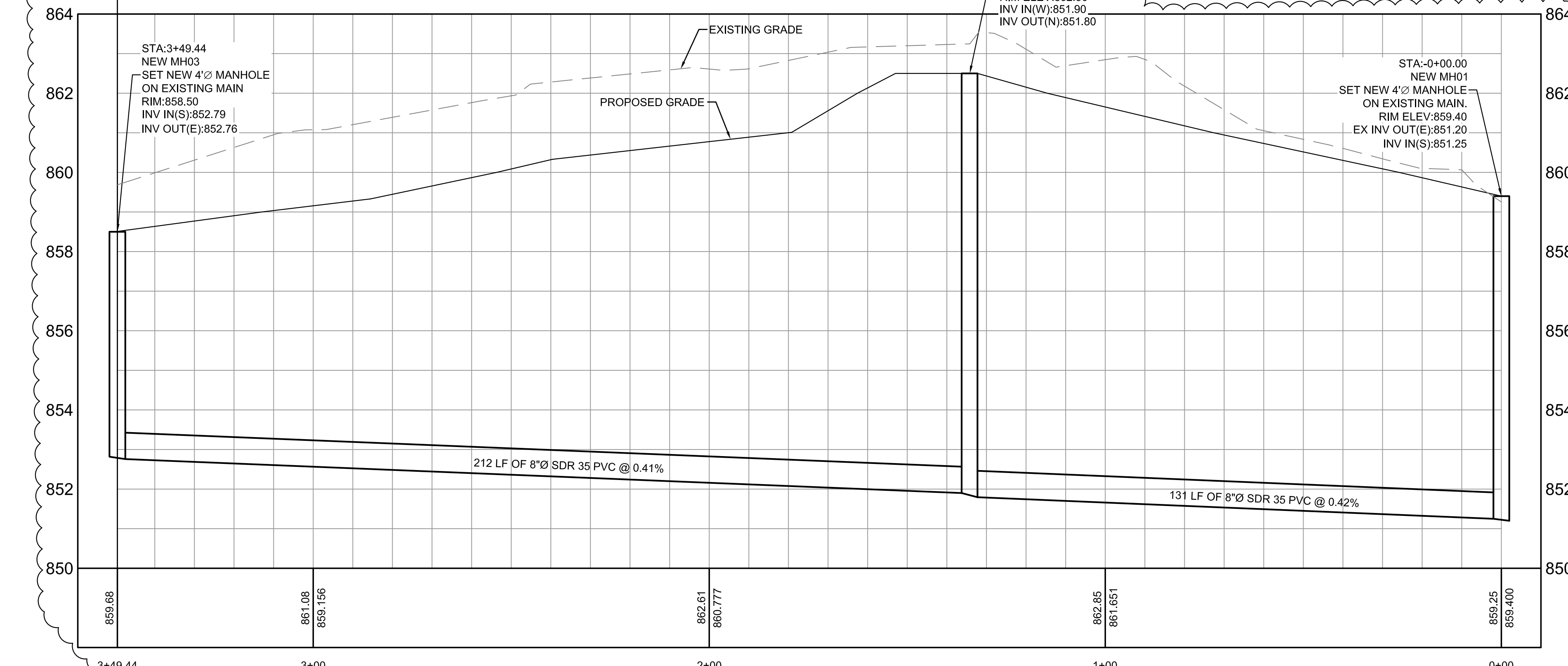
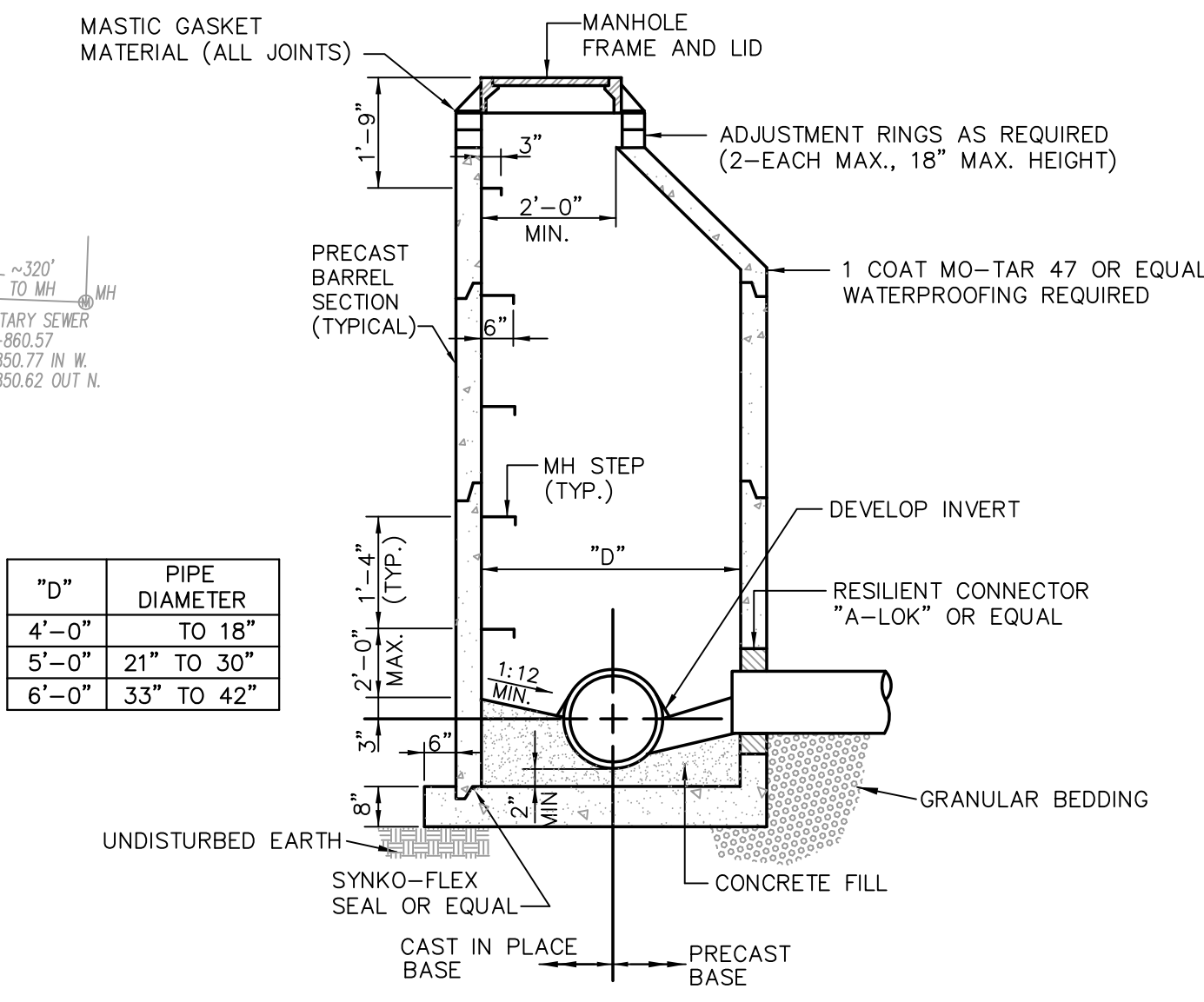


1 SANITARY SEWER MAIN RELOCATION PLAN
C9 SCALE: 1" = 20'

AREA OF NEW EASEMENT FOR RELOCATED SEWER MAIN ON DG PROPERTY.

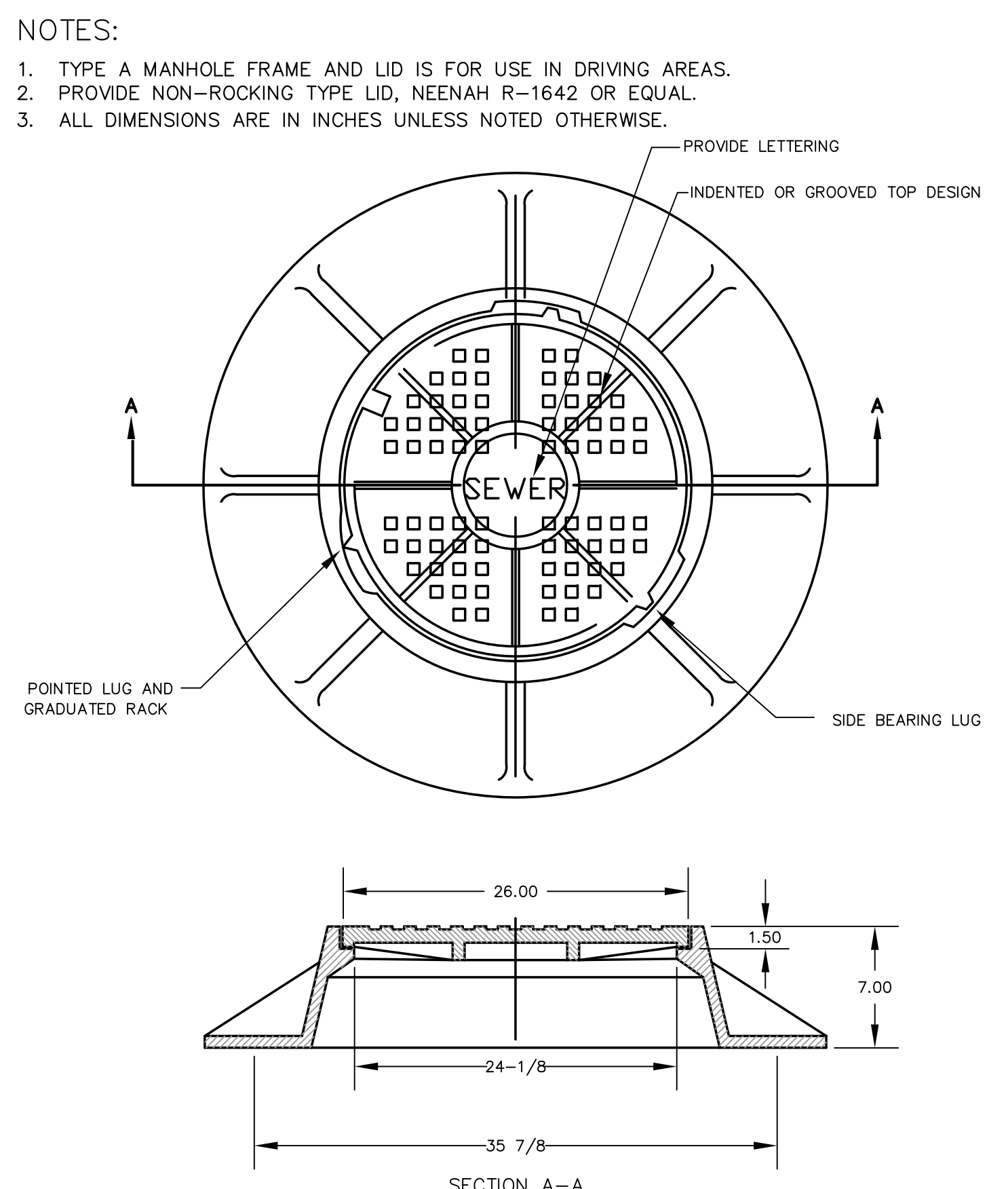
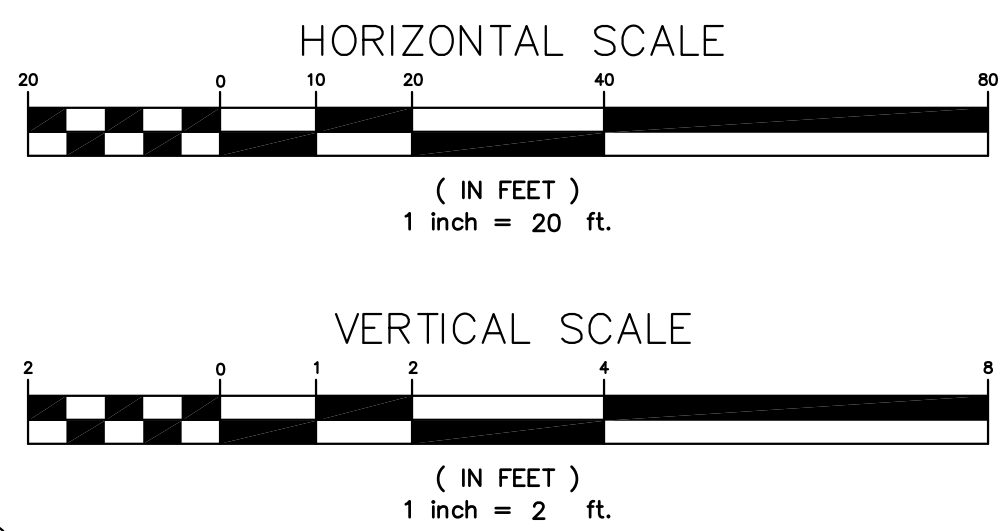


2 SANITARY SEWER MAIN RELOCATION PROFILE
C9 HORIZONTAL SCALE: 1" = 20' VERTICAL SCALE: 1" = 2'



- GENERAL NOTES:**
1. PROVIDE ONE COAT MO-TAR 47 COATING OR EQUAL ON EXTERIOR OF ALL MANHOLES.
 2. CIRCULAR PRECAST MANHOLE SECTIONS TO BE SEALED WITH GASKETS.
 3. MANHOLE WALL THICKNESS: 1/12 OF INSIDE DIA. PLUS ONE INCH.
 4. CIRCULAR PRECAST MANHOLE SECTIONS TO BE IN ACCORDANCE WITH ASTM C478, EXCEPT AS MODIFIED.
 5. MANHOLE STEPS TO BE CAST IN PLACE, OR GROUTED WITH EXPANDING GROUT.
 6. ALL MANHOLE RINGS TO BE SET IN MASTIC.
 7. MINIMUM MANHOLE RING OPENING SHALL BE 24" CLEAR.
 8. PROVIDE A MAXIMUM DROP OF 0.2' OF INVERT FROM INLET TO OUTLET.
 9. MINIMUM DROP BETWEEN INLET AND OUTLET INVERTS SHALL BE 0.2'.
 10. MAXIMUM DROP BETWEEN INLET AND OUTLET INVERTS SHALL BE 24".
 11. NO GROUTING SHALL BE PERMITTED ON MANHOLES AND RINGS, EXCEPT LIFT HOLES SHALL BE GROUTED.

3 4" STANDARD MANHOLE
C9 SCALE: NOT TO SCALE



4 4" STANDARD MANHOLE COVER
C9 SCALE: NOT TO SCALE

NOTE: REFER TO ELECTRIC PLANS FOR ADDITIONAL SITE LIGHTING REQUIREMENTS.

SPECIAL NOTE: CONTRACTOR IS RESPONSIBLE FOR ALL PUBLIC UTILITY CONNECTIONS (ELECTRIC, WATER, GAS, SEPTIC, SEWER) AS WELL AS PROVIDING ALL INFRASTRUCTURE REQUIRED BY UTILITY COMPANIES.

BEDDING CLASS	SOIL TRENCH	
	PIPE O.D.	a MIN.
A AND B	16" AND SMALLER	4"
A AND B	LARGER THAN 16"	1/4 O.D.
C	32" AND SMALLER	4"
C	LARGER THAN 32"	1/8 O.D.

BEDDING CLASS	PIPE O.D.	
	PIPE O.D.	a MIN.
A AND B	24" AND SMALLER	6"
A AND B	LARGER THAN 24"	1/4 O.D.
C	48" AND SMALLER	6"
C	LARGER THAN 48"	1/8 O.D.

LEGEND

- Bc: OUTSIDE DIA. OF PIPE
- o: NOMINAL PIPE SIZE
- o: EMBEDMENT BELOW PIPE
- Hand-placed embedment
- Granular embedment
- Concrete
- Undisturbed earth

NOTE:

1. ALL UTILITIES SHALL BE INSPECTED AND APPROVED BY THE CITY PRIOR TO BACKFILLING.
2. EXTEND GRANULAR BEDDING TO BASE UNDER IMPROVED SURFACES.
3. COMPACT SELECT FILL IN 8" LIFTS TO 95% STANDARD PROCTOR DENSITY.
4. PROVIDE TRACER WIRE UNDER ALL PRESSURE MAINS AND SERVICES. GROUND ALL ENDS OF TRACER WIRE AND ALSO AT 50' MAXIMUM INTERVALS.
5. PROVIDE APPROPRIATE WARNING TAPE 12" ABOVE ALL WATER, SEWER AND FORCE MAINS.

5 4" STANDARD MANHOLE COVER
C9 SCALE: NOT TO SCALE

DRAWING INFO.	
NO.	DESCRIPTION
DATE	FIELD BY:
BY	ATH
11/09/15	DRAWN BY:
ATH	CHECK BY:
08-25-2015	DATE:
08-25-2015	FIELD BOOK:
10074-15	JOB NUMBER: